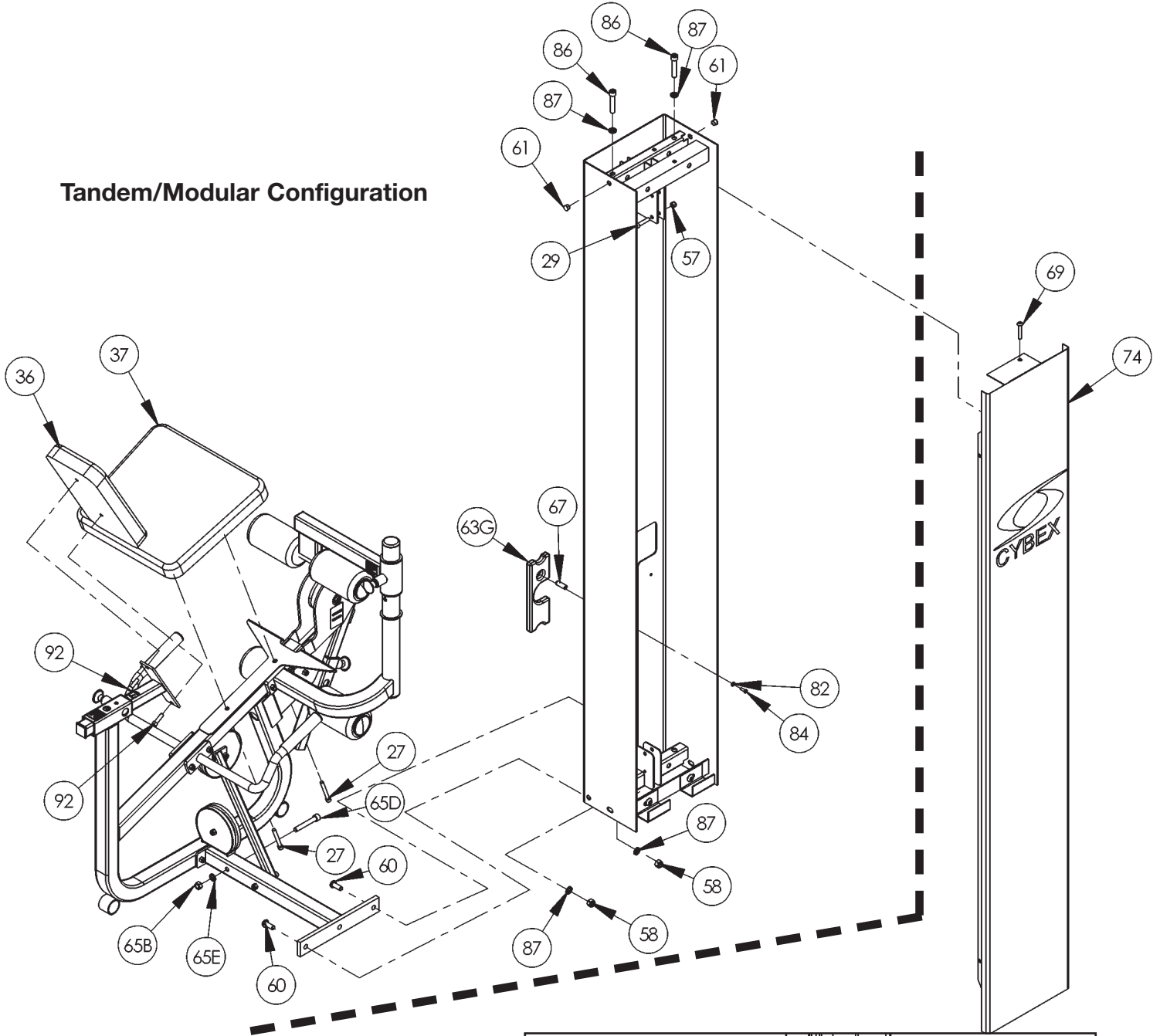


5307/5653 - Leg Extension/Leg Curl Station

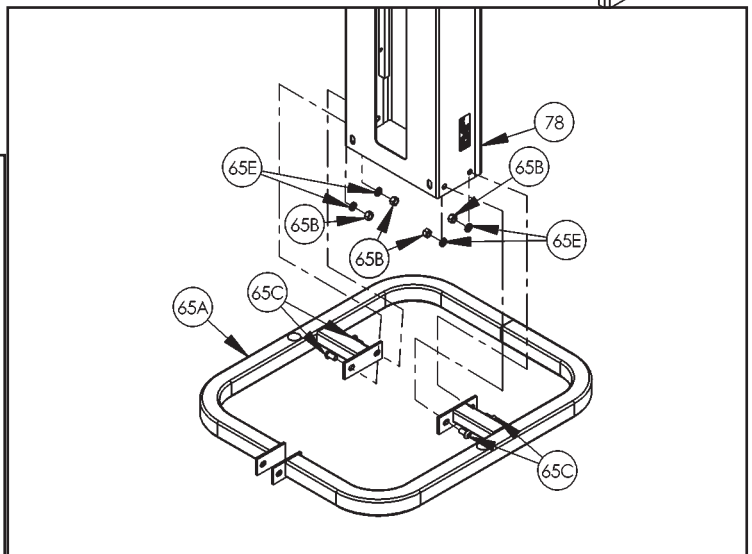
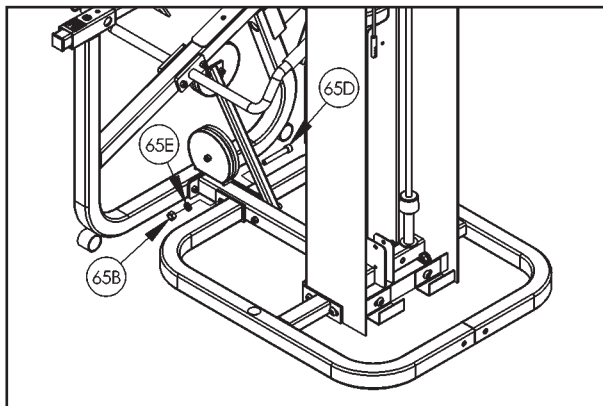
ITEM	QTY	PART NO.	DESCRIPTION
1	3	08014	Pulley
26	2	HC702826	SHCS .375-16 x 2.00
27	2	HC702834	SHCS .375-16 x 3.00
29	3	JC702824	SHCS .375-16 x 1.75
36	1	4800-021	Back Cushion
37	1	4800-015	Seat Cushion
38	1	HP286819	Spiral Pin
39	1	8640-330	Spring pin 10 mm x 90 mm Black
40	1	02120	Pulley Mount
53	1	5653-003	Weight Stack Cable
57	3	HN704901	Nylon Locknut .375-16
58	2	HN784900	Nylon Locknut .50-13
59	4	JC782820	SHCS .375-16 x 1.25
60	2	JC780420	BHSCS .50-13 x 1.25
61	2	PN660201	Hole Plug
62	20	4000C062	Weight Plate 4 x 12
63	1	4700-010	Top Weight Assembly
63A	2	4700-019	Bearing Flange .62 x .92 x 1.50 Lg
63B	1	4700M005	Rubber Cap
63C	1	4700-307	Top Weight 20-4 x 12
63D	1	4700M004	Cable Connector
63E	1	5310P044	Weight Selector Pin
63F	2	BR030206	Retaining Ring
63G	1	C-ZA000200	Half Weight

ITEM	QTY	PART NO.	DESCRIPTION
63H	1	HP286819	Spiral Pin
64	4	HN784000	Hex Nut .50-13
65	1	5302-51	Modular Base Assembly
65A	1	5301-200	Base
65B	5	HN784000	Hex Nut .50-13
65C	4	JC780417	BHSCS .50-13 x 1.00
65D	1	JC782836	SHCS .50-13 x 3.25
65E	5	JS388300	Split Lockwasher .50
66	2	01755	Guide Rod Collet - Long
67	1	02106	Half Weight Peg
69	1	HC700426	BHSCS .375-16 x 2.00
74	1	5310C029	Back Cover
75	2	5310M035	Weight Rod .625 Dia. x 85.31
78	1	5653-200	Column
79	2	5653-302	Weight Spacer 4.00
82	1	HS308300	Split Lockwasher
83	4	HS760106	Flat Washer 1.75 .688 .140 T
84	1	JC620415	BHSC .25-20 x .75
86	2	JC782830	SHCS .50-13 x 2.50
87	6	JS388300	Split Lockwasher .50
88	2	PP080204	Plastic Cap .625 ID x .68 OD
89	2	PR060005	Bumper Weight
90	2	JC7082820	SHCS .375-16 x 1.25

Tandem/Modular Configuration



Free Standing Configuration



Cable Routing

